

RW10

2D Wireless Barcode Scanner

Light and compact design
Strong compatibility, plug and play
Read various barcode types



1D/2D



Mobile payment



ARM



2.4G



Bluetooth 5.0



Red LED



640x480 Pixels

Applications



Features

- Light industrial design, sturdy and durable, withstand 1.5m drop
- High performance imaging sensor enables quick reading of various barcodes
- Ergonomic design makes it more comfortable for using
- Clear LED indicator and loud buzzer, easy to get scanning feedback
- Transmission distance in open space: 2.4G 100m, BT 40m

SUNLUX IOT TECHNOLOGY (GUANGDONG) INC.

Office Add: Room 1201, Building A, No.76 Xinye Road, Huangpu District, Guangzhou, 511356, China
Tel: +86-20-32053765 Fax: +86-20-82115390 Website: www.xl-scan.com E-mail: overseas01@xl-scan.cn



RW10

Technical Parameters

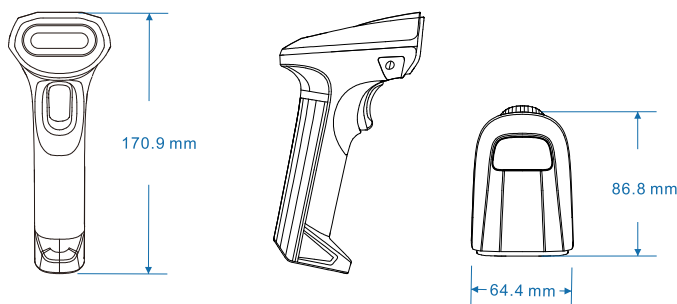
Performance Parameters

CPU	32bits ARM
Light Source	White LED (Lighting) Red LED(aiming)
Scan Mode	Manual & Automatic & Continuous
Image Sensor	CMOS
Resolution	640x480 Pixels
Scan Speed	60FPS
Scan Precision	≥3mil(code 128 6 digits)
Depth of Field	60~300mm (13mil code39)
Print Contrast	≥15%
Interface	USB-HID, USB-VCP
Decoding Capability	1D:Codabar, Code11, Code39, Code32, Interleaved 2 of 5, Industrial 2 of 5, Matrix 2 of 5, Code93, Code128, GS1-128, UPC-A, UPC-E, EAN 8, EAN 13, ISBN, ISSN, GS1 DataBar (RSS14) , GS1 DataBar Limited, GS1 DataBar Expanded, MSI, Standard 25, Plessey 2D: PDF417, Micro PDF417, QR Code, Data Matrix, Aztec Code, Hanxin code, Maxicode



Physical Parameters

Size	Scanner: 170.9 x 64.4 x 86.8mm Receiver: 15 x 6 x 19mm
Weight	Scanner: 175g±10g (including cable) Receiver: 1.6g
Case Material	ABS+PC
Input Voltage	DC5V±5%
Working Current	312mA
Standby Current	139mA
Indicator	LED indicator light, buzzer
Interface	USB / USB-VCP
Charging mode	TYPE-C cable charging
Charging time	4.5H
Continuous battery life	27H
Battery capacity	2200mAh



Other Parameters

Communication methods	2.4G wireless communication, Bluetooth wireless communication
Communication distance	2.4G mode: 100M (open space) Bluetooth mode: 40M (open space)
Humidity	5% to 95% (non-condensing)
Temperature	Operating Temperature: -10°C~50°C Storage Temperature : -20°C~60°C
Resistance To Ambient Light	0-100000 lux

*RW10-12/23B-V1.0.0