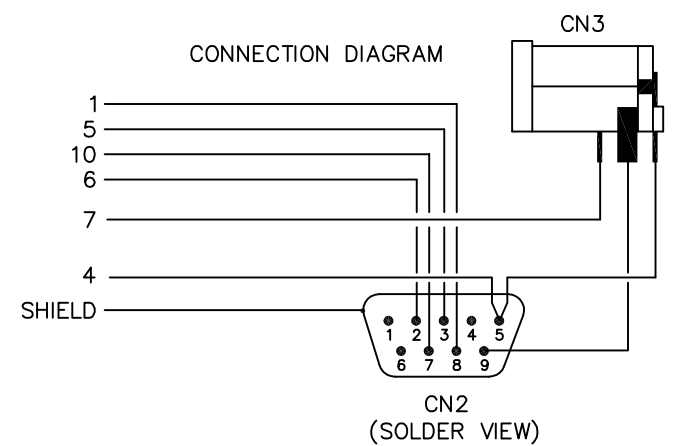
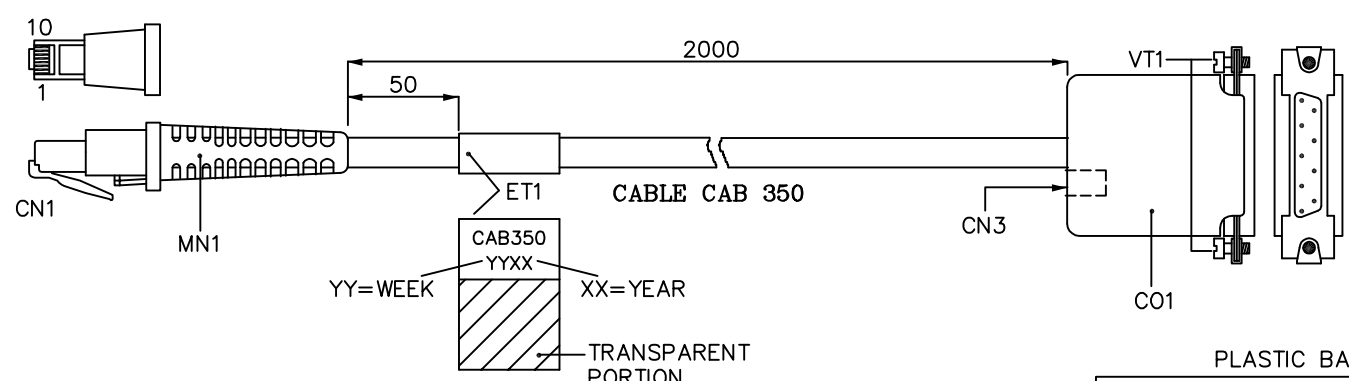


DATALOGIC www.datalogic.com	CABLE FOR DLC6065	DESIGNER: MAZZONI	APPROVAL
		DENDINATION OUTPUT CABLE FOR RS232 DCE 9 PINS FEM. CONN.	
REV. B	CODICE 90A051230	PC BOARD	UPDATED ON 24-10-97
REV. B	TYPE CAB 350	SCALE	SHEET 1/1

AGGIUNTE SPECIFICHE A CN1	14-06-04	FRANCESCINI
DESCRIPTION	11-05-98	RMINARELLI
DESCRIPTION	UPDATED ON	MODIF. BY

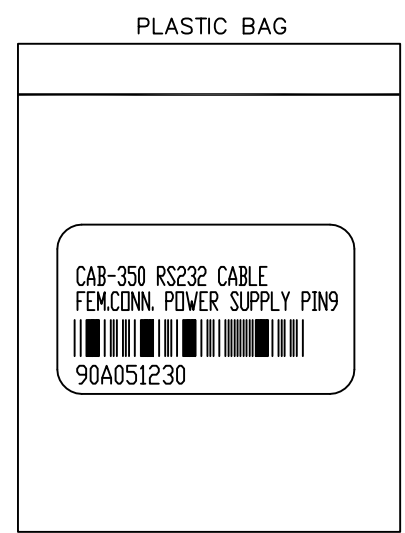
REV. B	RMDT-2813	ELIMINATO DATALOGIC E CE DALL'ETICHETTA SULLA BUSTA
REV. A	REQUESTOR	

NOTES	
-------	--



NOTE: connect the housing to the shield of the cable

NOTE:
 Each cable must be put in a minigrip plastic bag on which a label must be applied.
 The information on the label must be printed according to the following example.
 The proportions between the dimensions of the label and the plastic bag are not the real ones.



- | | |
|-------|---|
| CABLE | OVERALL SHIELDED AND JACKETED
JACKET COLOR GRAY RAL 7037
DIAMETER 4,5mm ± 0,2
UL APPROVED
CONDUCTORS AWG 24 |
| CN1 | RJ45 10 CONTACTS UNSHIELDED PHONE PLUG
CONNECTOR, NOT KEYED, UL APPROVED |
| CN2 | 9 PINS FEM. CONN. DB-9 |
| CN3 | POWER JACK 5,5mm/2,1mm |
| CO1 | CONNECTOR COVER |
| MN1 | SLEEVE MA-29 |
| ET1 | LABEL DAT 34-292 |
| VT1 | 2 x SCREW #4-40 |